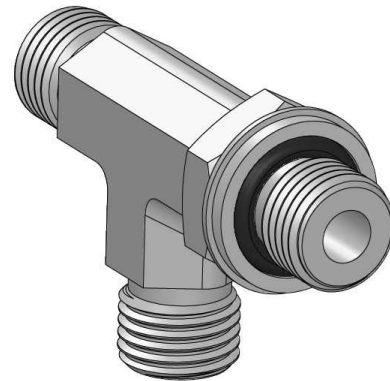
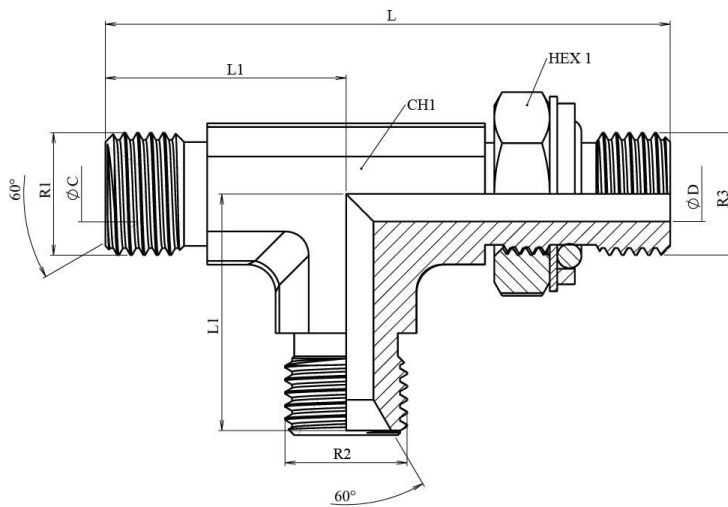


Barrel tee BSP male-male-male adjustable forge

Carbon steel

1/1



Part n°	R1	R2	R3	L	L1	HEX 1	CH1	$\varnothing C$	$\varnothing D$
S12290404	1/4" BSP	1/4" BSP	1/4" BSP	61	26	19	14	6	6
S12290606	3/8" BSP	3/8" BSP	3/8" BSP	66	30	22	17	8	8
S12290806	1/2" BSP	1/2" BSP	3/8" BSP	71	35	22	22	11	11
S12290808	1/2" BSP	1/2" BSP	1/2" BSP	78	35	27	22	11	11
S12291208	3/4" BSP	3/4" BSP	1/2" BSP	87	42	27	27	16	11
S12291212	3/4" BSP	3/4" BSP	3/4" BSP	91	41	36	27	16	16
S12291612	1" BSP	1" BSP	3/4" BSP	99	47	32	36	22	16
S12291616	1" BSP	1" BSP	1" BSP	101	47	41	36	22	22
S12292020	1"1/4 BSP	1"1/4 BSP	1"1/4 BSP	109	51	50	41	28,6	27,5